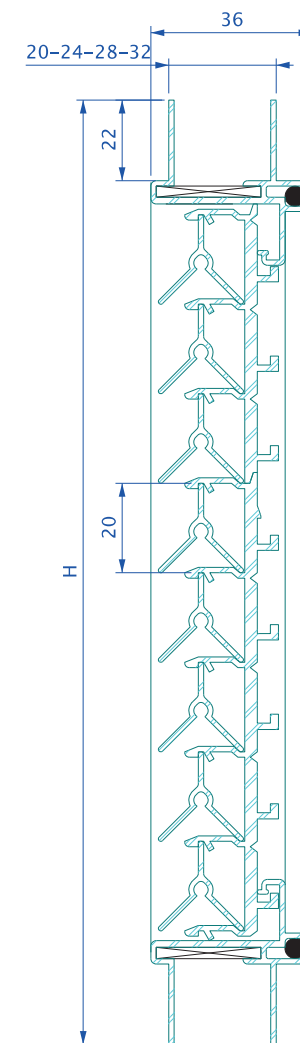


MR20V-GL

Glazed-in louver - 20 V blade



Type MR20V-GL	
TECHNICAL DETAILS	
Profile	Extruded alu profiles EN-AW-6060 T66 (AlMgSi0,5 F22)
Profile thickness	Min. 1.1 mm
Height of the blade	20 mm
Blade pitch	20 mm
Rebate size	22 mm
Glazing thickness	20, 24, 28 and 32 mm
Visual free area	94%
Physical free area	30%
Stainless steel mesh	AISI 304 with apertures 2.3 x 2.3 mm
Reinforcement	Louvers wider than 700 mm are provided with a reinforcement profile carrying additional blade supports to strengthen the wide louver
FIXATION	
With glazing beads. Use glazing blocks.	
SHAPES	
Rectangular, square	



GL