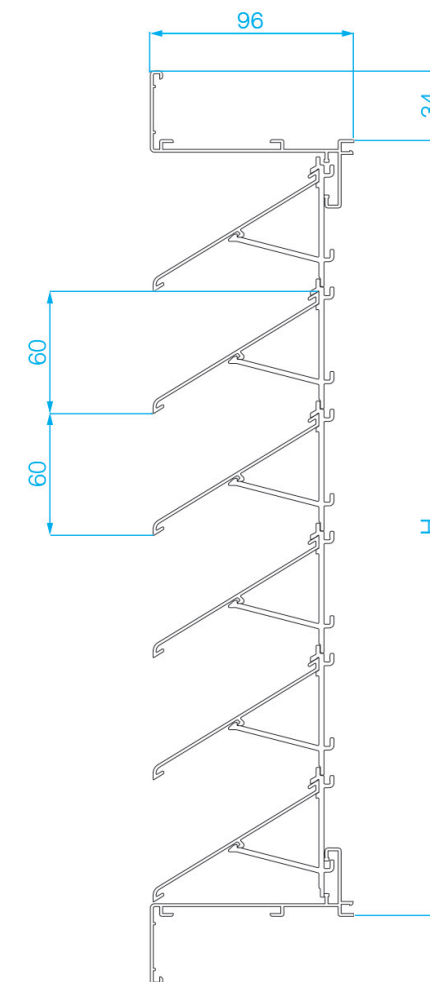


MR60Z-FL

Flanged wall louver - 60 Z blade



| Type MR60Z-FL | |
|---------------------------------|--|
| TECHNICAL DETAILS | |
| Profile | Extruded alu profiles EN-AW-6060 T66 (AlMgSi0,5 F22) |
| Profile thickness | Min. 1.4 mm |
| Height of the blade | 60 mm |
| Blade pitch | 60 mm |
| Depth to fit | 89.8 mm |
| Flange depth | 33.8 mm |
| Visual free area | 90% |
| Physical free area | 76% |
| Stainless steel mesh | AISI 304 with apertures 2.3 x 2.3 mm |
| Reinforcement | Louvers wider than 700 mm are provided with a reinforcement profile carrying additional blade supports to strengthen the wide louver |
| FIXATION | |
| Brackets : supplied as standard | |
| SHAPES | |
| Rectangular, square | |



FL