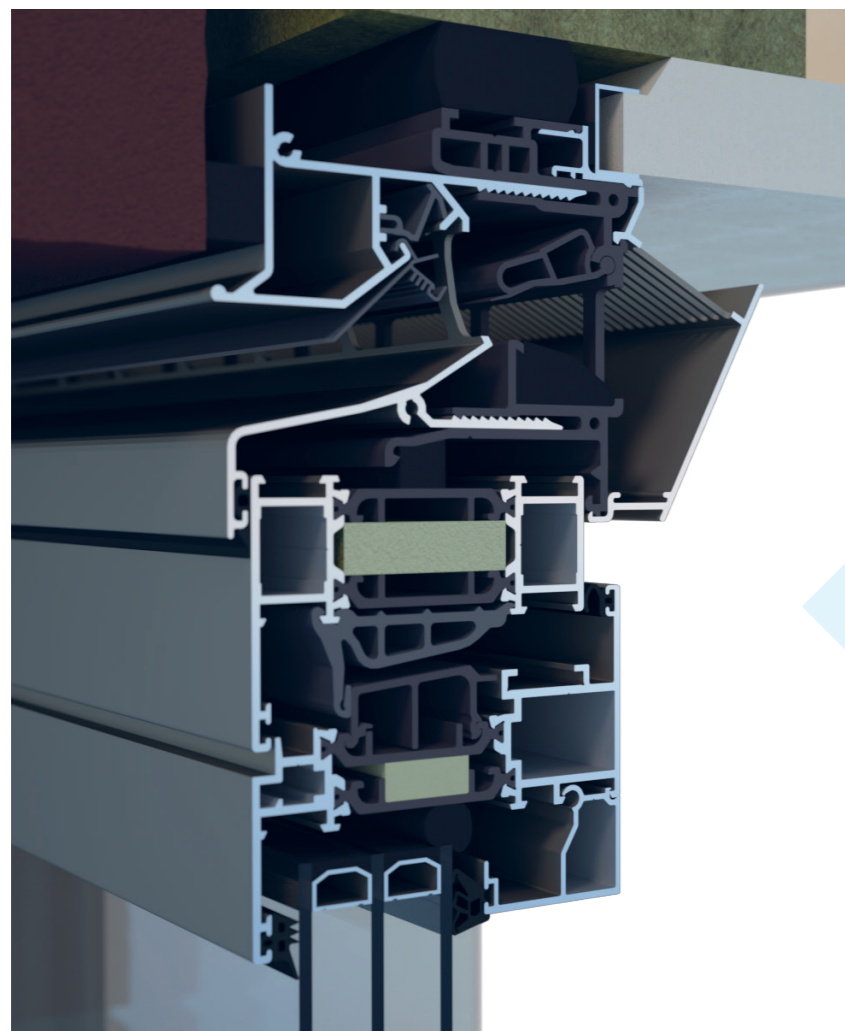


TunalTopNeo

Window ventilation on the frame



TunalTopNeo is a **thermal interrupted aluminium vent**, for on the window frame. It can be placed on plastic, wooden and aluminium window frames. The inner flap in opened position guides the incoming air upwards and avoids drafts. The vent can easily be anchored to the building.

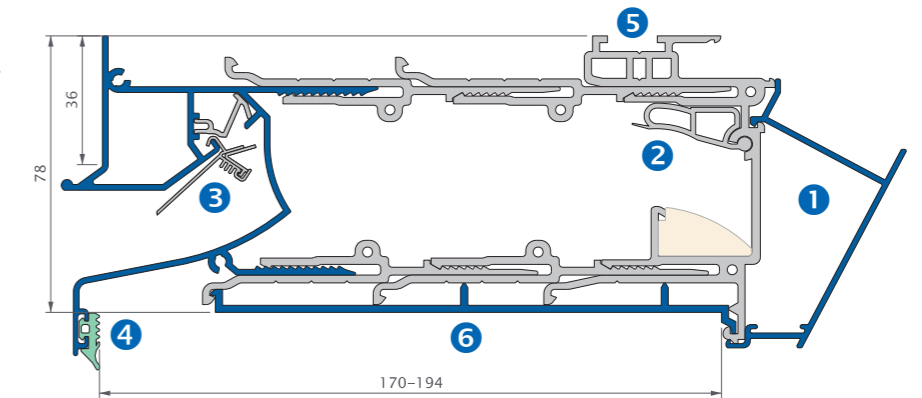
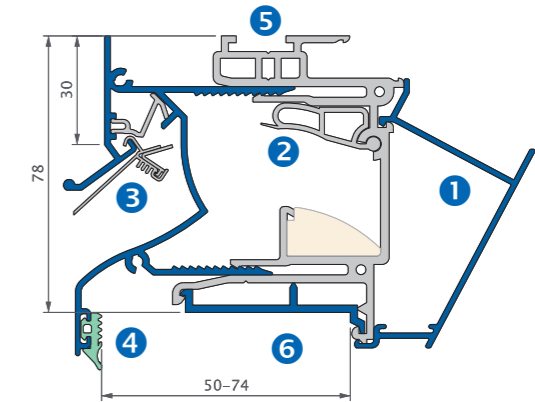
- + Built-in depths from 50 to 194mm
- + Closed inner flap gives full thermal break
- + Easy maintenance with detachable inner profile
- + Inner profile works like insect gauze
- + Euronut groove 14/18 on top
- + Plaster profile P429 is included with delivery (see accessories)

U-value
1,8 W/m².K

Equivalent Area
14125 mm²/m

The principle

- 1 UPWARD AIR FLOW THROUGH INSECT REPELLENT, REMOVABLE INSIDE PROFILE
- 2 INTERNAL CLOSABLE VALVE, ADJUSTABLE IN 5 POSITIONS
LOW U-VALUE BECAUSE OF THERMAL BREAK
- 3 PATENTED SELF REGULATING VALVE TO ENSURE A UNIFORM AIR SUPPLY
- 4 CONTINUOUS SEALING ON THE WINDOW FRAMEWORK TO GUARANTEE CONNECTION
- 5 EURONUT GROOVE 14/18
- 6 FIXATION PLATE FOR EACH TYPE OF WINDOW FRAMEWORK AVAILABLE FOR DIFFERENT FRAME DEPTHS



TunalTopNeo	
Equivalent Area ⁽¹⁾	14125 mm ² /m
Air flow Q at 1 Pa	11.1 dm ³ /s/m
Air flow q _v at 2 Pa	57 m ³ /h/m
Air flow q _v at 10 Pa	83 m ³ /h/m
L ₀ at 2 Pa ⁽²⁾	0.08 m
L ₀ at 10 Pa ⁽²⁾	0.21 m
Control options	5 different positions
Self regulation class	yes
U-value	1.8 W/m ² .K
Acoustic insulation D _{n,e,w} (C, Ctr)	
- In open position	32 (-1;-1) dB
- In closed position	50 (-1;-5) dB
Water tightness	
- In closed position	650 Pa
- In open position	150 Pa
Leak flow in closed position at 50 Pa	<15%
Insect repellent	complies
Surface area	0.078 m ² /m
Build in height	78 mm
Window frame depths (adjustable), larger on demand	50-74, 74-98, 98-122, 122-146, 146-170, 170-194 mm
Maximum dimension under guarantee	3000 mm
End cap dimension	106 mm

⁽¹⁾ Value for non self regulating version, according to EN 13141-1
⁽²⁾ L = total length vent – end cap dimension