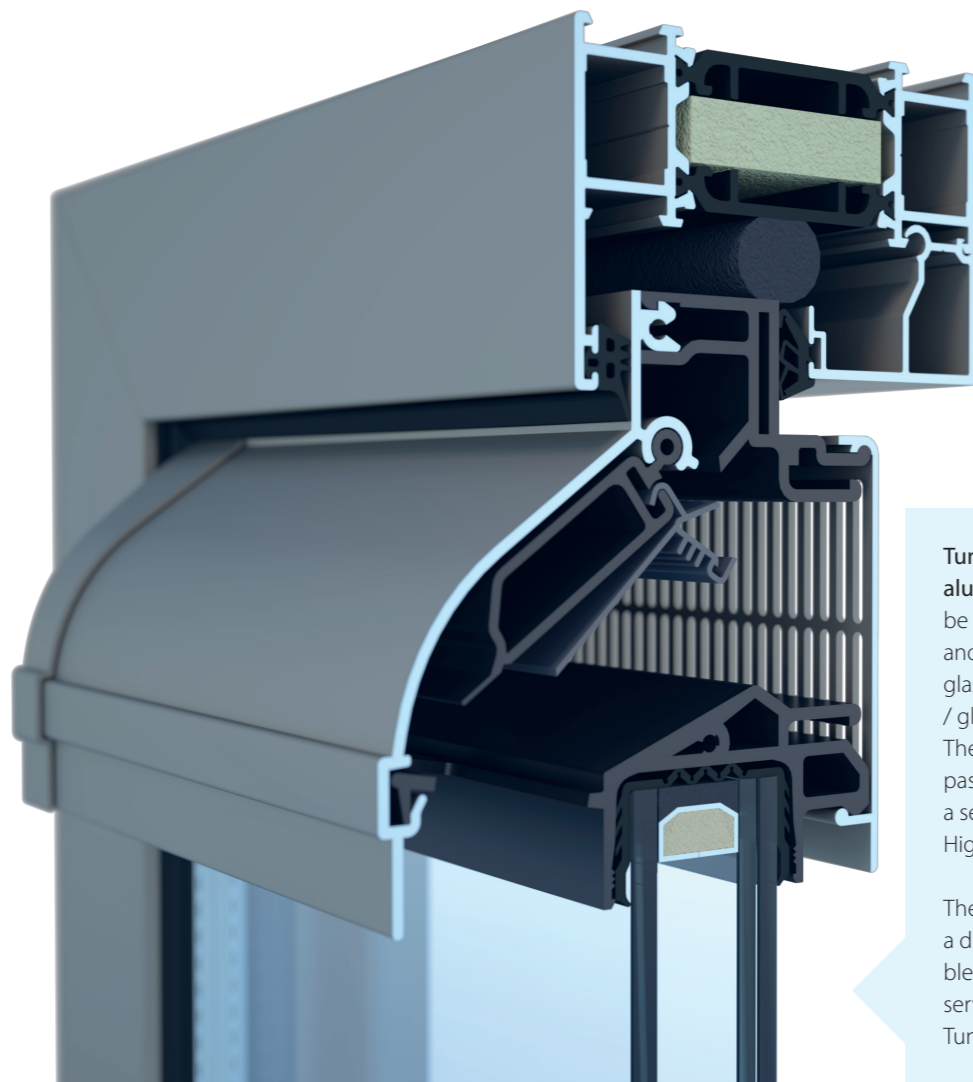


VENTILATION

Tunal 75 Window ventilation on glass



Tunal 75 is a thermal interrupted aluminium vent, for on glass. It can be integrated in plastic, wooden and aluminium windows with a glass thickness of 24, 28 or 32 mm / glass gutter of 30, 34 or 38 mm. The Tunal 75 is available in different air passages (multi-flow): XL / L / S and in a self regulating version: ZR Basic and High (with inside grill XL).

The multi-flow is obtained thanks to a different perforation in the removable aluminium inner profile that also serves as insect gauze: Tunal 75 XL, Tunal 75 L, Tunal 75 S.

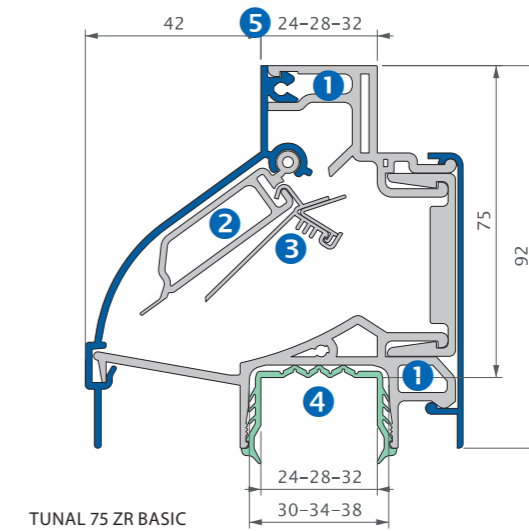
U-value*
2,68 W/m².K

Equivalent Area
21760 mm²/m

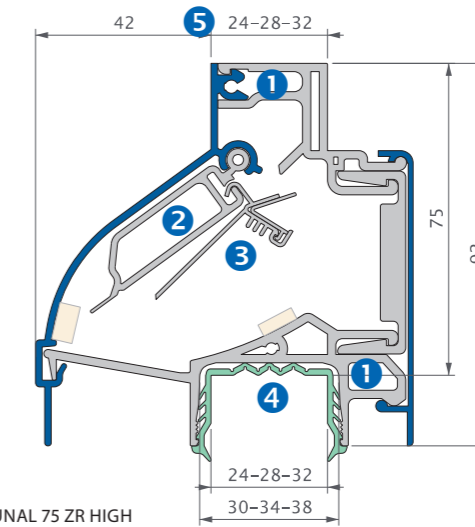
*values for Tunal 75 ZR High

The principle

- 1 THERMAL INTERRUPTION
- 2 INTERNAL CLOSING VALVE, ADJUSTABLE IN 5 POSITIONS
- 3 PATENTED SELF-REGULATING VALVE TO ENSURE A UNIFORM AIR SUPPLY
- 4 CUSTOMIZED GLAZING RUBBER ON THE GLASS TO GUARANTEE CONNECTION
- 5 AVAILABLE FOR DIFFERENT GLASS THICKNESSES



TUNAL 75 ZR BASIC



TUNAL 75 ZR HIGH



Tunal 75	S	L	XL	ZR BASIC	ZR HIGH
Equivalent Area ⁽¹⁾	12089 mm ² /m	18451 mm ² /m	24432 mm ² /m	16415 mm ² /m	21760 mm ² /m
Air flow Q at 1 Pa	9.5 dm ³ /s/m	14.5 dm ³ /s/m	19.2 dm ³ /s/m	12.9 dm ³ /s/m	17,1 dm ³ /s/m
Air flow q _v at 2 Pa	50 m ³ /h/m	76 m ³ /h/m	105 m ³ /h/m	70 m ³ /h/m	96 m ³ /h/m
Air flow q _v at 10 Pa	115 m ³ /h/m	173 m ³ /h/m	238 m ³ /h/m	59 m ³ /h/m	98 m ³ /h/m
L ₀ at 2 Pa ⁽²⁾	0.02 m	0.02 m	0.06 m	0.02 m	0,10 m
L ₀ at 10 Pa ⁽²⁾	0.03 m	0.03 m	0.06 m	-0.07 m	0,18 m
Control options	5 different positions				
Self-regulation	no			yes	
U-value	2.68 W/m ² .K				
Acoustic insulation Dn, e, w (C, Ctr)					
- In open condition	26 (0;-1) dB				
- In closed condition	36 (-1;-3) dB				
Water resistance					
- In closed position	750 Pa				
- In open position	20 Pa				
Leak flow in closed position at 50 Pa	<15%				
Insect repellent	complies				
Surface area	0.075 m ² /m				
Glass reduction	75 mm				
Installation height	92 mm				
Suitable for glass thicknesses	24 - 28 - 32 mm (with dry glazing rubber) / 38 mm (with silicone seal)				
Maximum dimensions under warranty	2500 mm				
End cap dimension	85 mm				

(1) Value for non self regulating version, according to EN 13141-1
(2) L = total length vent – end cap dimension