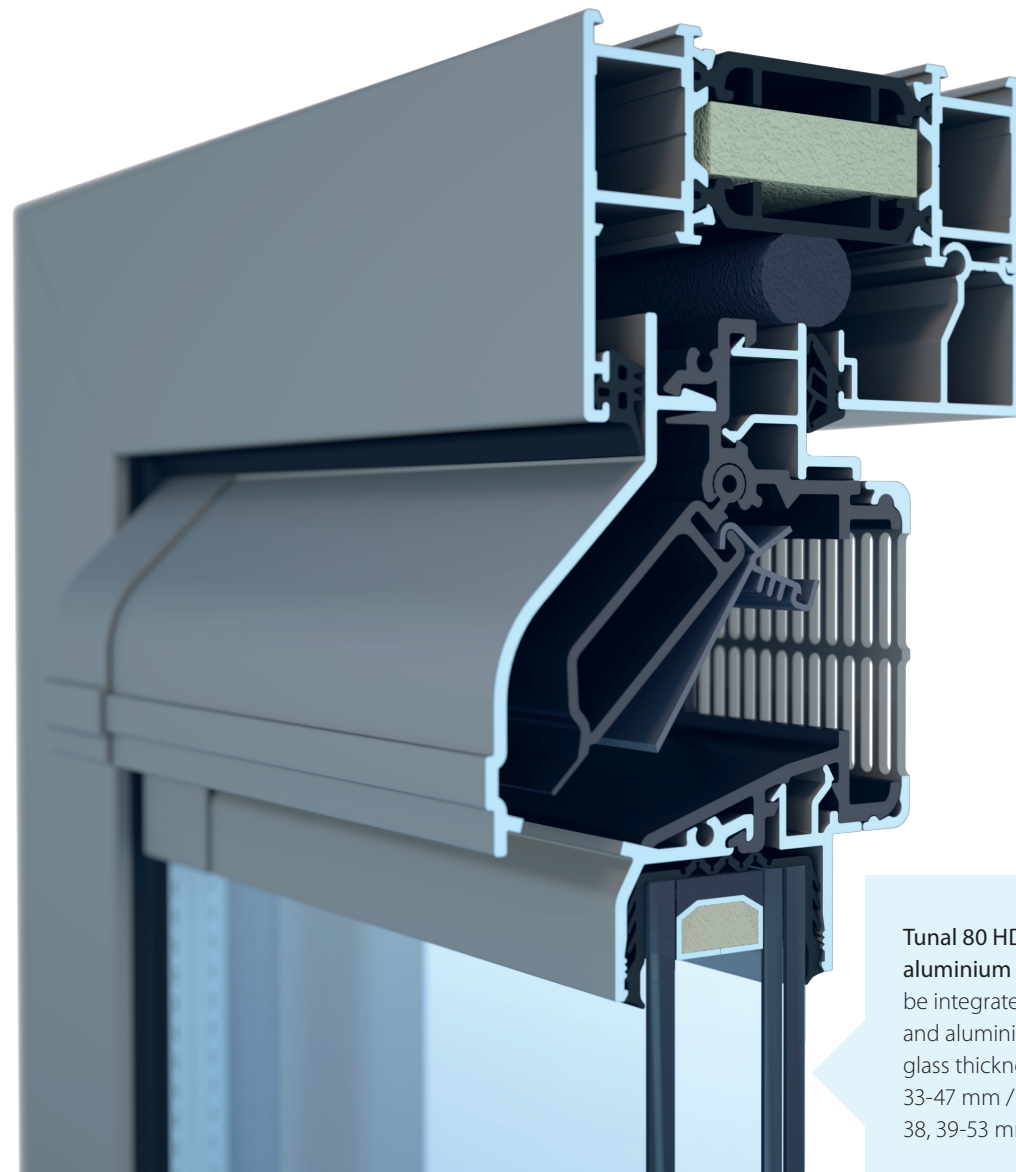


# VENTILATION

## Tunal 80 HD Window ventilation on glass



Tunal 80 HD is a thermal interrupted aluminium vent, for on glass. It can be integrated in plastic, wooden and aluminium windows with a glass thickness of 21, 24, 28, 32, 33-47 mm / glass gutter of 27, 30, 34, 38, 39-53 mm.

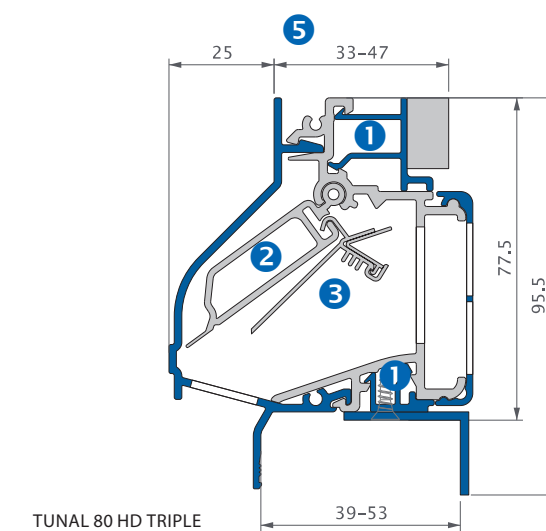
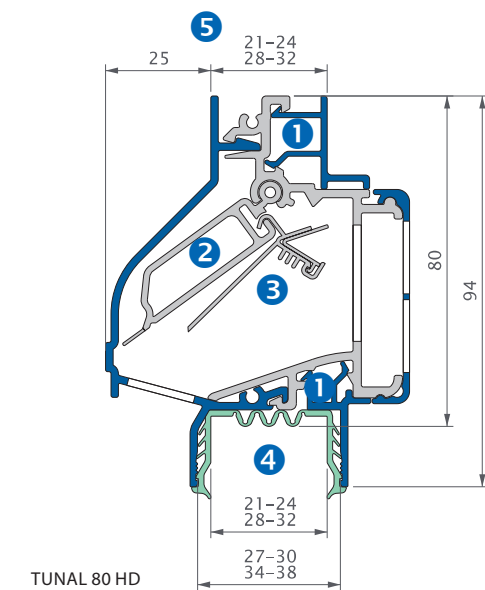
**U-value**  
4,02 W/m<sup>2</sup>.K

**Equivalent Area**  
15270 mm<sup>2</sup>/m



### The principle

- 1 THERMAL INTERRUPTION
- 2 INTERNAL CLOSING VALVE, ADJUSTABLE IN 5 POSITIONS
- 3 PATENTED SELF-REGULATING VALVE TO ENSURE A UNIFORM AIR SUPPLY
- 4 CUSTOMIZED GLAZING RUBBER ON THE GLASS TO GUARANTEE CONNECTION
- 5 AVAILABLE FOR DIFFERENT GLASS THICKNESSES



Tunal 80 HD	
Equivalent Area <sup>(1)</sup>	15270 mm <sup>2</sup> /m
Air flow Q at 1 Pa	12.0 dm <sup>3</sup> /s/m
Air flow q <sub>i</sub> at 2 Pa	53 m <sup>3</sup> /h/m
Air flow q <sub>i</sub> at 10 Pa	67 m <sup>3</sup> /h/m
L <sub>0</sub> at 2 Pa <sup>(2)</sup>	0.02 m
L <sub>0</sub> at 10 Pa <sup>(2)</sup>	0.07 m
Control options	5 different positions
Self-regulation	yes
U-value	4.02 W/m <sup>2</sup> .K
Acoustic insulation D <sub>n</sub> , e, w (C, Ctr)	
- In open condition	26 (0;-1) dB
- In closed position	40 (-1;-1) dB
Water resistance	
- In closed position	750 Pa
- In open position	30 Pa
Leak flow in closed position at 50 Pa	<15%
Insect repellent complies	complies
Surface area	0.080 m <sup>2</sup> /m
Glass reduction	80 mm
Installation height	94 mm
Suitable for glass thicknesses	21/24/28/32/33-47 mm (with dry glazing rubber or silicone seal)
Maximum dimensions under warranty*	2500 mm
End cap dimension	90 mm

<sup>(1)</sup> Value for non self regulating version, according to EN 13141-1  
<sup>(2)</sup> L = total length vent - end cap dimension  
 \* Not valid for larger glass thicknesses.