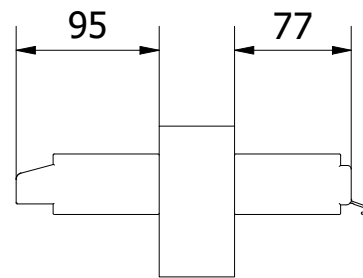
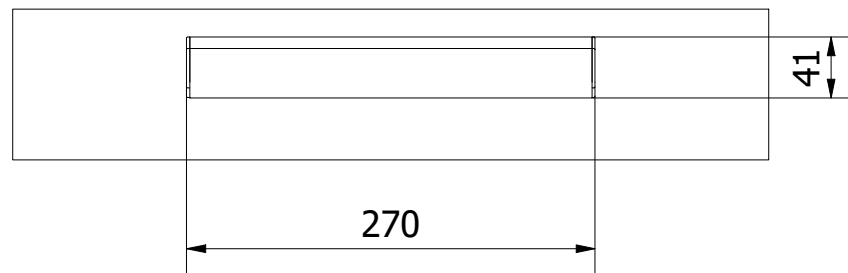
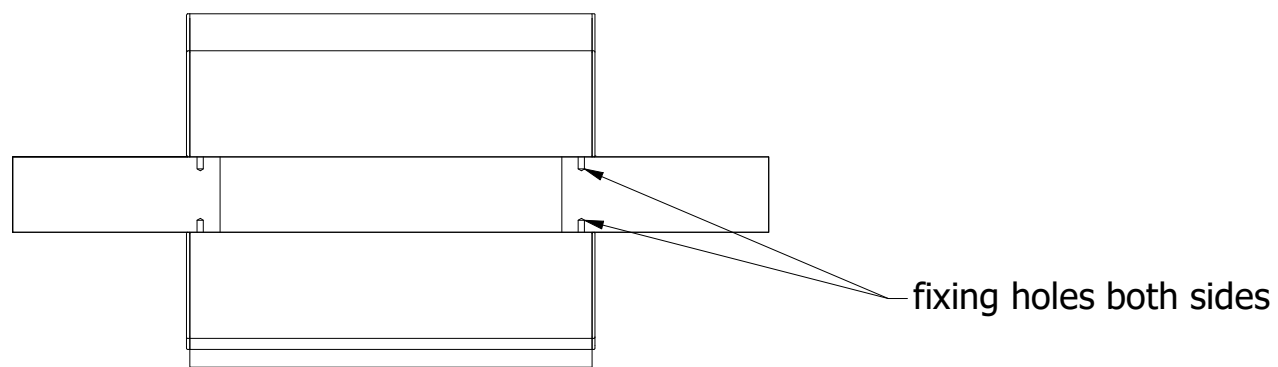
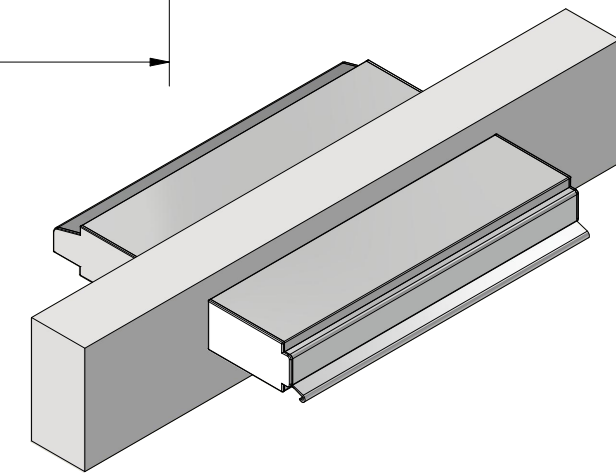
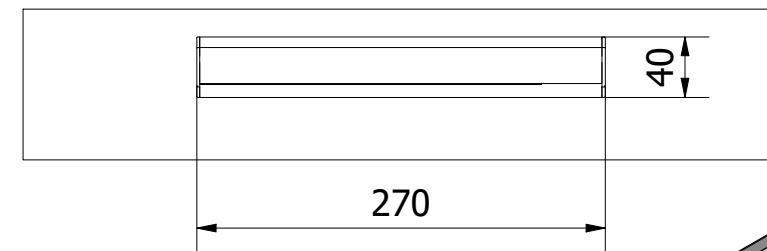


INSIDE VIEW (1 : 5)



OUTSIDE VIEW (1 : 5)



○ SSH 2500Ea Tipvent and 1 internal acoustic model and external Canopy and 1 External Acoustic model

 Louvers & Ventilation Ltd				No
Material	Weight N/A	Coating surface	Anodisation surface N/A	Page size: A3
Alexandra Way, Ashchurch, Tewkesbury GL20 8NB, United Kingdom				Tol. DIN1748 (DEEL 4)
www.awlouvers.co.uk		info@awlouvers.co.uk		Name: Serge Date: 7/12/2021