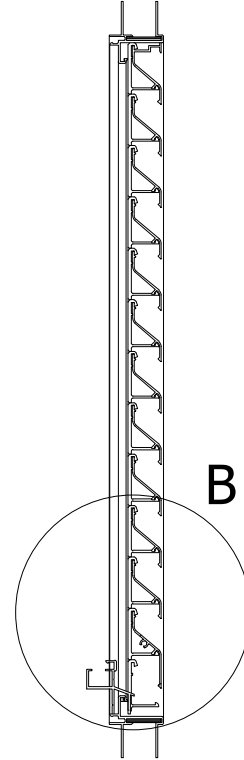
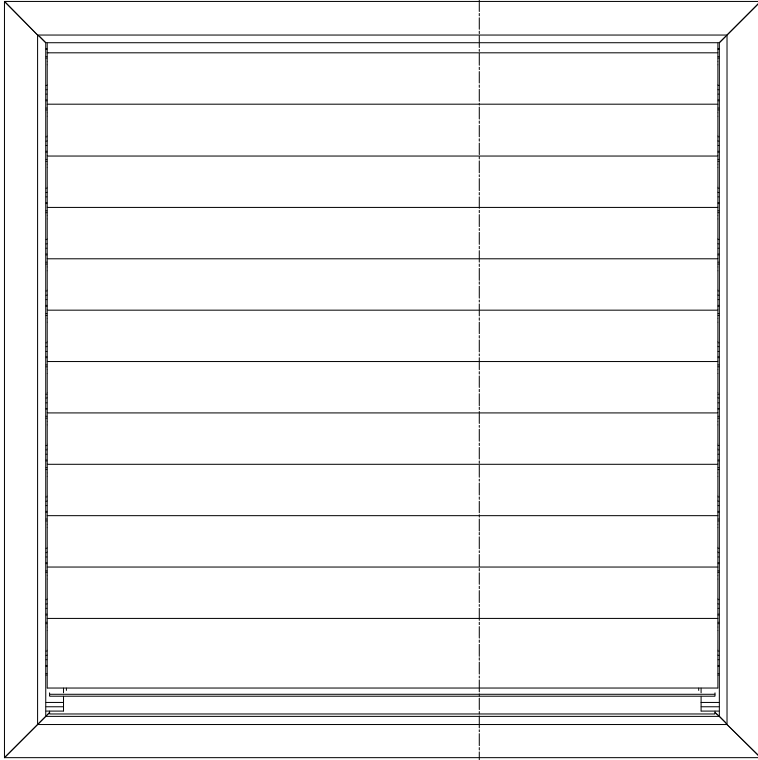
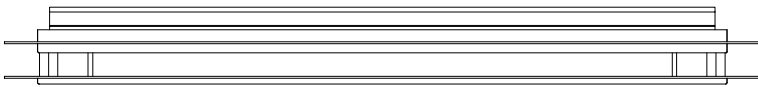


A →

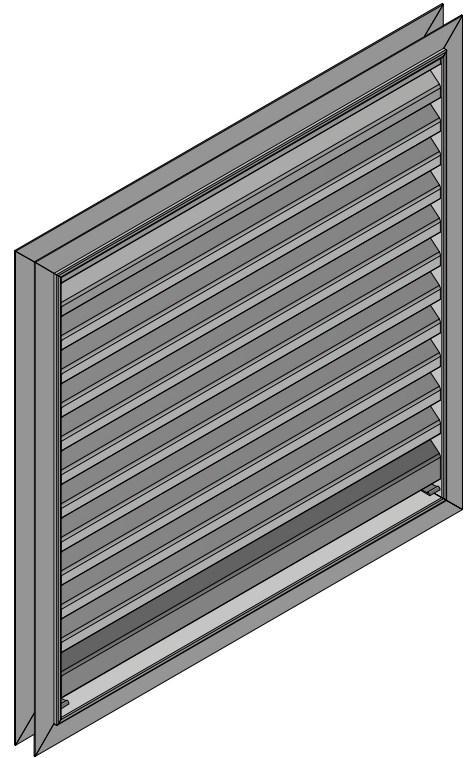
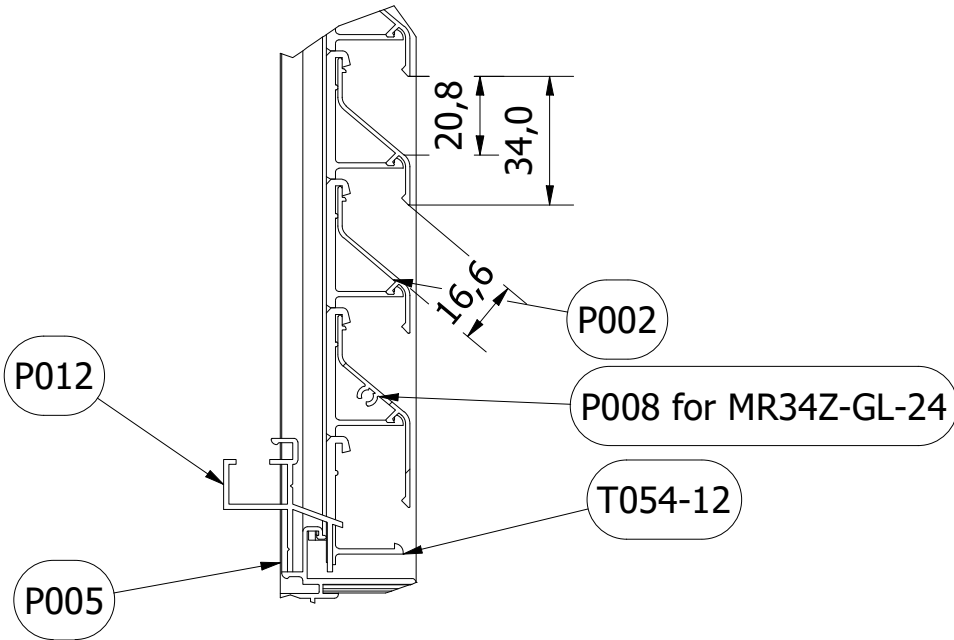
A-A ( 1 : 5 )



A →



B ( 1 : 2 )



Name:				No MR34Z-GL-24 met lamel P002
Material	Weight N/A	Coating surface	Anodisation surface N/A	Page size: A4
				Scale: 1 : 5
www.tunal.be Menensesteenweg 295 8940 Wervik		Tel. +32 56 67 15 80		Tol. DIN1748 (DEEL 4)
				Name: Serge Date: 1/12/2020