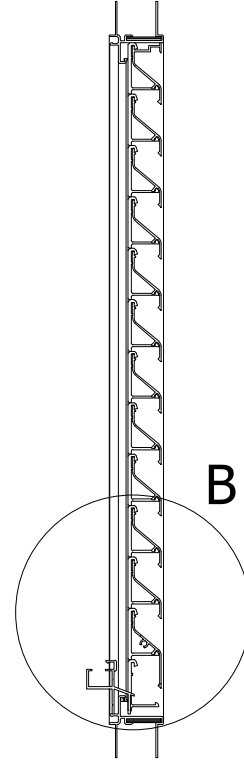
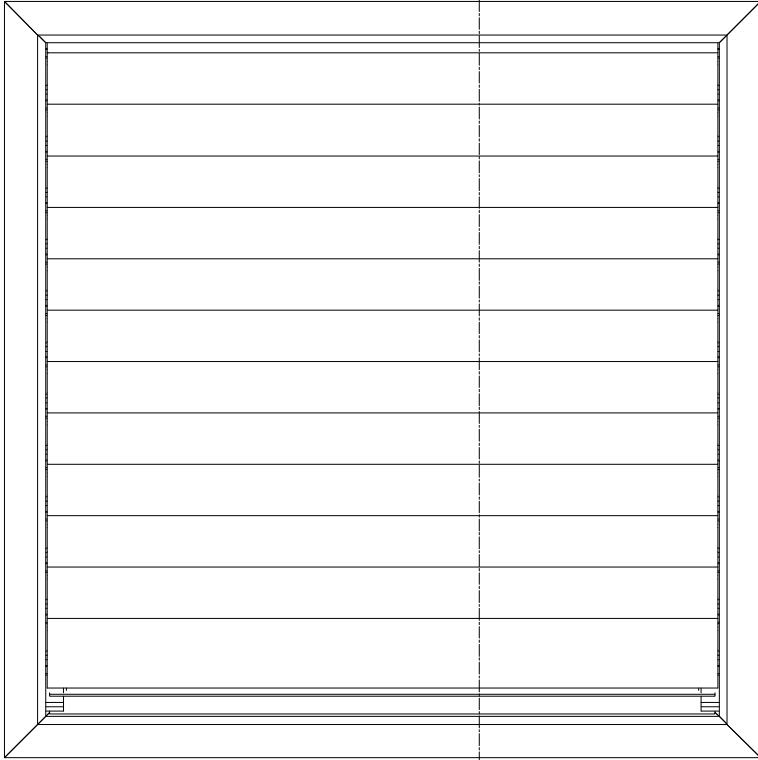
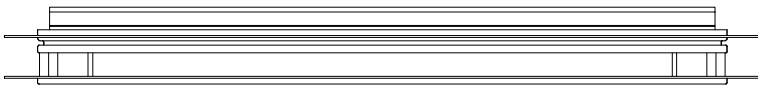


A →

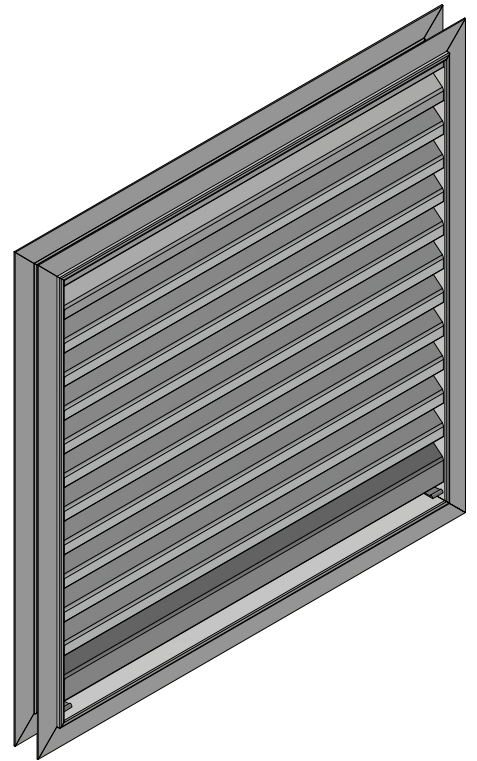
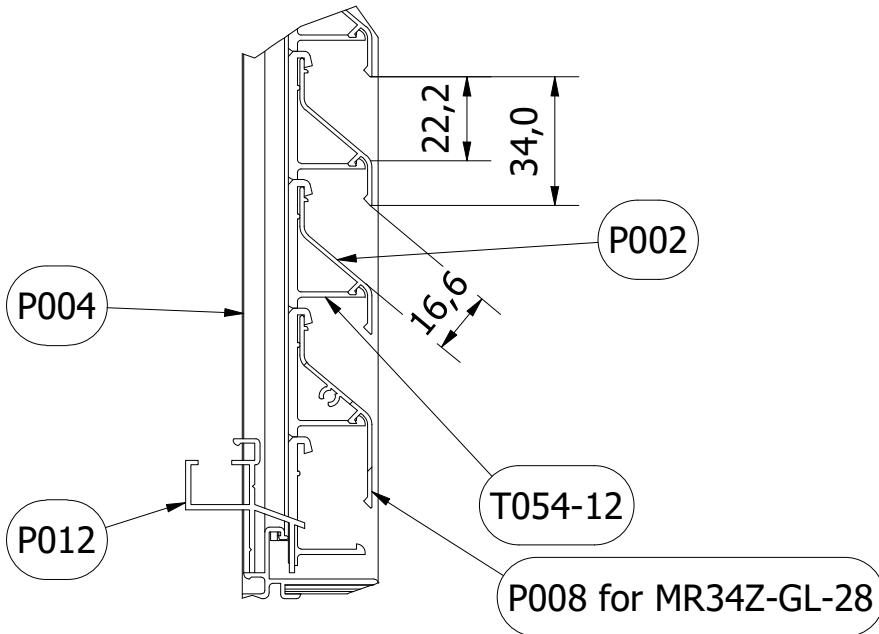
A-A ( 1 : 5 )




A →



B ( 1 : 2 )



Name:				No MR34Z-GL-28 met lamel P002
Material	Weight N/A	Coating surface	Anodisation surface N/A	Page size: A4
				Scale: 1 : 5
		<a href="http://www.tunal.be">www.tunal.be</a> Menensesteenweg 295 8940 Wervik	Tel. +32 56 67 15 80 	Tol. DIN1748 (DEEL 4) Name: Serge Date: 1/12/2020